

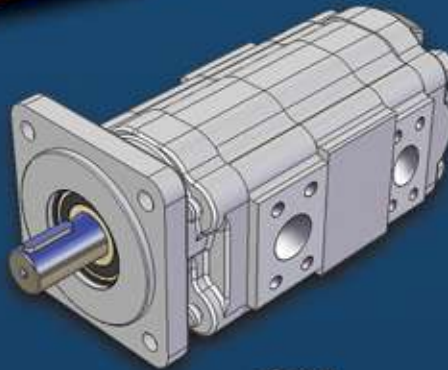


GEAR PUMP MANUFACTURING

Getting the World into Gear

HYDRAULIC:

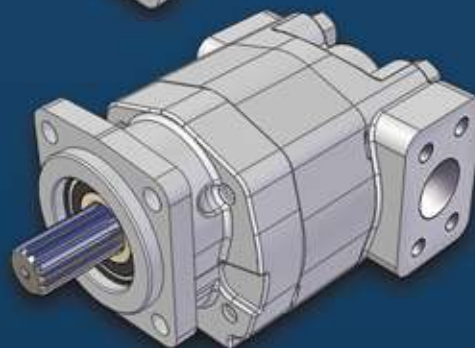
- PUMPS
- MOTORS
- FLOW DIVIDERS
- ADD-A-PUMPS
- SPARE PARTS



Bearing Range

SERIES: 120; 125; 130; 131;
150; 151; 175; 176

Speeds up to : 2400 RPM
Pressure up to : 205 BAR
Displacements between :
16 cc/rev - 200 cc/rev



Bushing Range

SERIES: 215; 230; 250; 265

Speeds up to : 3000 RPM
Pressure up to : 240 BAR
Displacements between :
10 cc/rev - 147 cc/rev



PTO Truck Pump Range

Gear and Piston Pumps are also in the range.

WE ARE COMMITTED TO A CULTURE OF QUALITY AND SERVICE
IN AN ENVIRONMENT WHERE CONTINUOUS IMPROVEMENT IS FOREMOST.

COMPANY PROFILE



Gear Pump Manufacturing (Pty) Ltd, located in Cape Town South Africa, with a staff compliment of 150 employees, has been specialising in the manufacture and assembly of hydraulic SAE mounted cast iron pumps and associated components since 1985. Approximately 70% of production is exported to countries in North and South America, Europe, Middle and Far East, South East Asia and Australia. A total of 37 countries around the world.

As a consequence of our re-investment philosophy, we have been successful in doubling our sales and production capacity. We continue to maintain substantial investments in inventory, both in Cape Town as well as at various distribution centres worldwide.

LATEST TECHNOLOGY

- CNC machining centres, lathes and gear grinding machines, together with late model hobbing and shaving machinery and computerized test stands form the basis of our manufacturing facility.

IN-HOUSE FOUNDRY

- Commissioned in February 2002 and currently produces 900 tons of grey Iron, SG iron, compacted graphite iron (CGI) and bronze cast components per annum. Superior metallurgical structured CGI material is used in the manufacture of the higher pressure requirements of our Bushing Pump Range. The foundries production is dedicated to the requirements of GPM and has sufficient capacity to handle the expected growth into the year 2018.

PARTS, PORTING & ASSEMBLY

- Our focus is purely on gear pump and motor assembly, ensuring consistently high quality products.

RIGOROUS TESTING

- All units assembled inhouse are tested on fully computerized test stand with multiple flow, pressures, temperatures and speed data. Units can also be tested according to customers specific requirements.

QUALITY CONTROL

- Quality is the focus of our attention if we are to be seen as a world class manufacturer. The company has been ISO 9001 certified since 1992 and is audited every six months by the South African Bureau of Standards.

CUSTOMER SERVICE

- Our willing and qualified staff are available to help clients with sales, financial or technical issues.

SALES: sales@gearpumps.co.za
WEBSITE: www.gearpumps.co.za

SABS
ISO 9001
Manufactured in South Africa

A MEMBER OF THE **Hudaco** GROUP